

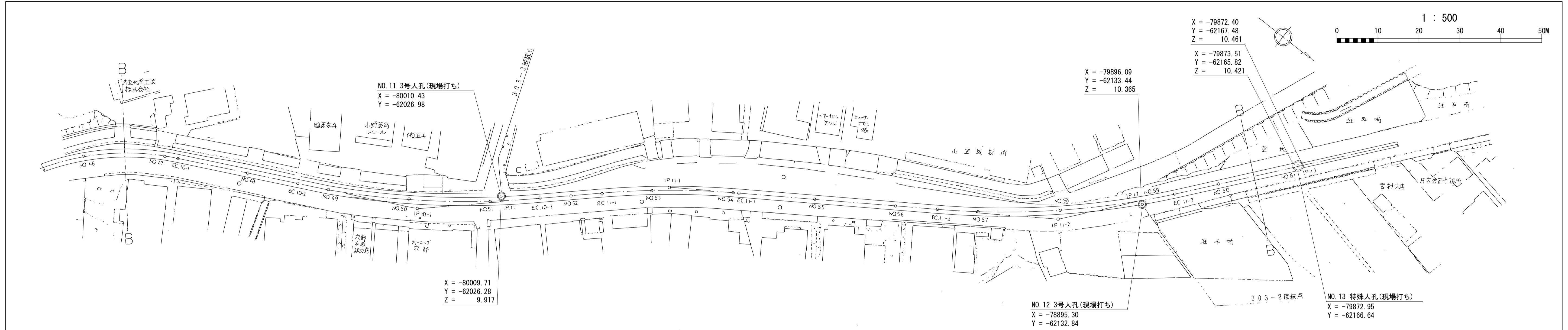
酒匂川流域下水道台帳

施設平面縦断図(図面番号 6)

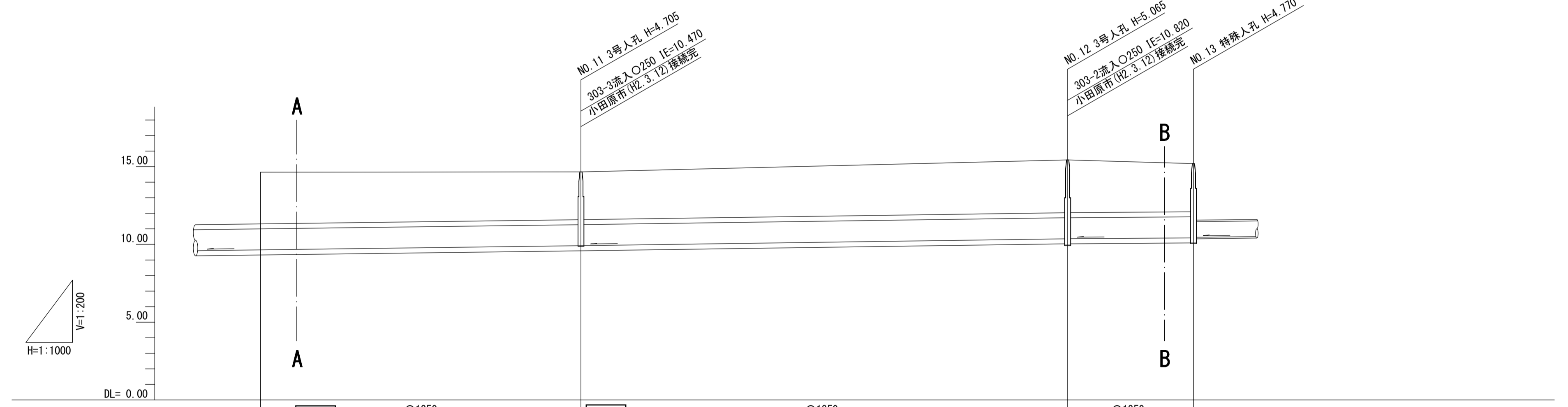
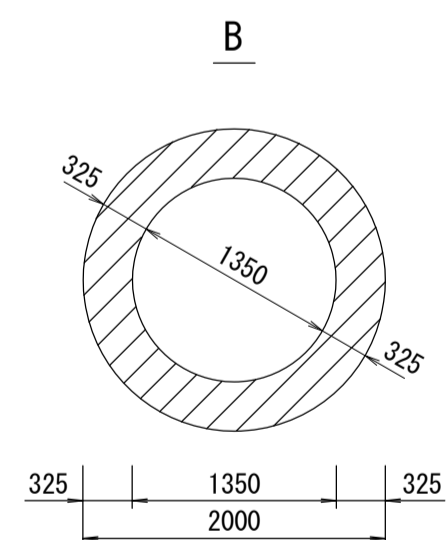
5 6 7

幹線名 狩川幹線

1 : 500



管渠構造図 S=1:50



施工区	302工区																								
占用区間	県道小田原山北線																								
管渠築造	B																								
土被り	3.030																								
地盤高	14.647	14.560	14.538	14.497	14.523	14.555	14.628	14.696	14.727	14.737	14.767	14.990	15.106	15.156	15.224	15.305	15.430	15.346	15.280	15.230	15.191	15.191			
管底高	9.917											10.365	10.421	10.461											
追加距離	920.000	846.000	843.044	860.000	972.248	880.000	1020.000	1023.059	1032.184	1040.000	1047.833	1060.000	1080.000	1120.000	1130.229	1140.000	1160.000	1179.694	1180.000	1188.846	1200.000	1220.000	1220.169		
区間距離	20.000	3.004	3.044	16.956	12.248	7.752	20.000	3.059	9.125	7.816	7.833	12.167	20.000	10.229	9.771	20.000	19.694	0.306	8.846	11.154	20.000	0.169	0.169		
測点	No. 46	No. 47	No. 47 +3.044 (EC10-1)	No. 48	No. 48 +12.248 (BC10-2)	No. 49	No. 50	No. 51	No. 51 +3.059 (EC10-2)	No. 52	No. 52 +7.833 (BC11-1)	No. 53	No. 54	No. 54 +1.340 (EC11-1)	No. 55	No. 56	No. 56 +10.229 (BC11-2)	No. 57	No. 58	No. 58 +19.694 (EC11-2)	No. 59	No. 59 +8.846 (EC11-2)	No. 60	No. 61	No. 61 +0.169
曲線	IP10-1 IA=61-27-49 R=60.000 TL=35.671 CL=64.365 SL=9.802			IP10-2 IA=17-10-14 R=200.000 TL=30.194 CL=59.936 SL=2.266				IP11-1 IA=9-35-57 R=200.000 TL=16.793 CL=33.508 SL=0.704				IP11-2 IA=16-47-33 R=200.000 TL=29.520 CL=58.617 SL=2.167				1-17-24									