

# 酒匂川流域下水道台帳

## 施設平面縦断図(図面番号 5)

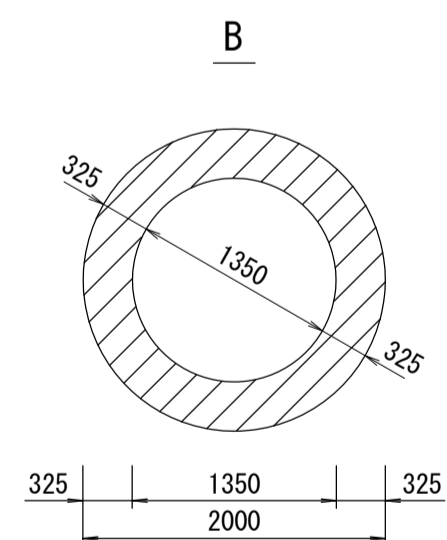
4 5 6

幹線名 狩川幹線

1 : 500



管渠構造図 S=1:50



施工区	302工区																																															
占用区間	県道小田原山北線																																															
管渠築造	B																																															
土被り	2.837										3.170																																					
地盤高	13.492	13.477	13.505	13.534	13.563	13.694	13.709	13.792	13.901	13.963	13.974	14.071	14.133	14.148	14.190	14.319	14.276	14.410	14.432	14.504	14.487	14.647	14.567	14.567																								
管底高	8.870		8.920												9.474										9.602																							
追加距離	628.644		640.000		660.000		667.526		680.000		700.000		704.652		720.000		740.000		758.050		760.000		780.000		800.000		812.102		820.000		838.808		840.000		852.312		860.000		878.679		880.000		899.062		900.000		920.000	
区間距離	0.000		11.356		20.000		7.526		12.474		20.000		4.652		15.348		20.000		18.050		1.950		20.000		20.000		12.102		7.898		19.808		0.192		12.312		7.688		18.679		1.321		19.062		0.938		20.000	
測点	No.31 +8.644 (BC.8-1) No.32		No.33		No.33 +7.526 (E68-1) No.34		No.35		No.35 +4.652 (BC.8-2) No.36		No.37		No.37 +19.808 (E68-2) No.38		No.39		No.40		No.40 +12.102 (BC.8-3) No.41		No.41		No.41 +19.808 (E68-2) No.42		No.42		No.42 +12.312 (E68-3) No.43		No.43		No.43 +18.679 (BC.10-1) No.44		No.44		No.44 +19.062 (E68-3) No.45		No.45		No.46									
曲線	IP8-1 IA=18-11-19 R=200.000 TL=19.502 CL=38.881 SL=0.949										IP8-2 IA=15-57-51 R=200.000 TL=26.859 CL=53.398 SL=1.795										IP8-3 IA=38-23-51 R=60.000 TL=20.893 CL=40.210 SL=3.534										IP10-1 IA=61-27-49 R=60.000 TL=35.671 CL=64.365 SL=9.802																	

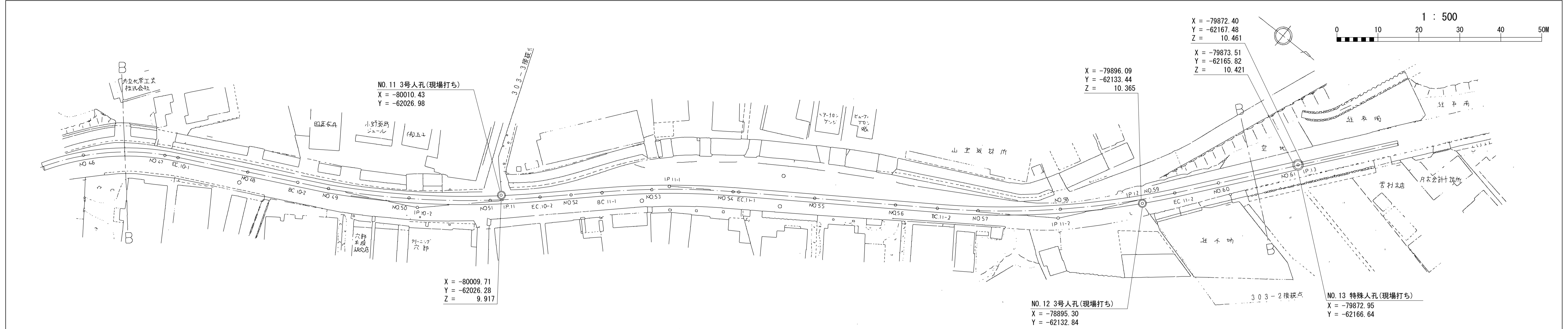
# 酒匂川流域下水道台帳

## 施設平面縦断図(図面番号 6)

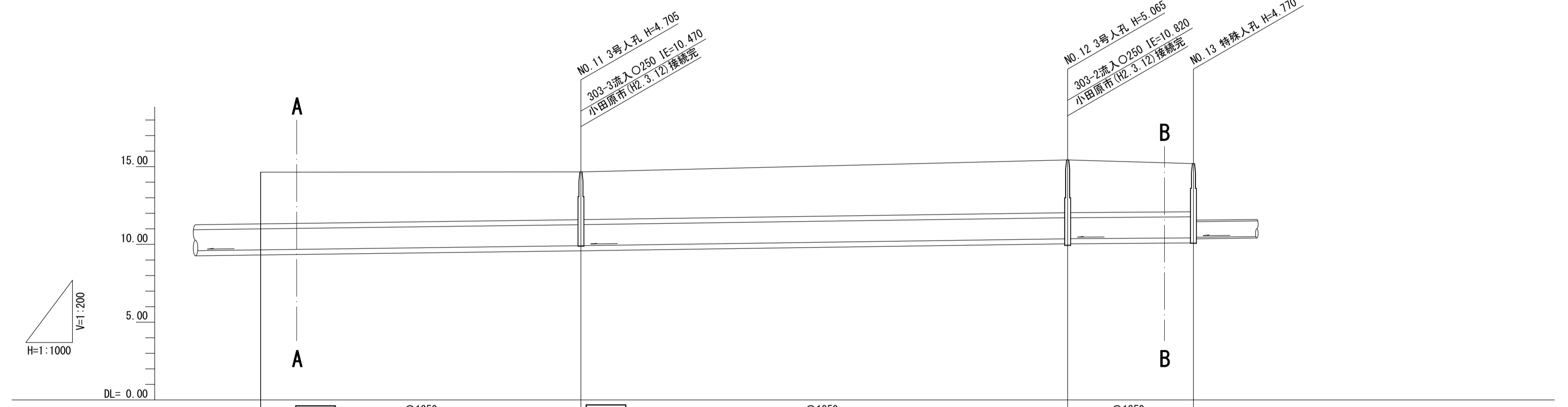
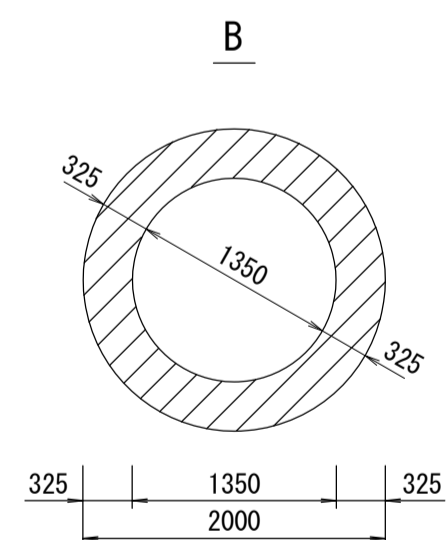
5 6 7

幹線名 狩川幹線

1 : 500



管渠構造図 S=1:50



施工区	302工区																								
占用区間	県道小田原山北線																								
管渠築造	B																								
土被り	3.030																								
地盤高	14.647	14.560	14.538	14.497	14.523	14.555	14.628	14.696	14.727	14.737	14.767	14.990	15.106	15.156	15.224	15.305	15.430	15.346	15.280	15.230	15.191	15.191			
管底高	9.917											10.365	10.421	10.461											
追加距離	920.000	846.000	843.044	860.000	972.248	880.000	1020.000	1023.059	1032.184	1040.000	1047.833	1060.000	1080.000	1120.000	1130.229	1140.000	1160.000	1179.694	1180.000	1188.846	1200.000	1220.000	1220.169		
区間距離	20.000	3.004	3.044	16.956	12.248	7.752	20.000	3.059	9.125	7.816	7.833	12.167	20.000	10.229	9.771	20.000	19.694	0.306	8.846	11.154	20.000	0.169	0.169		
測点	No. 46	No. 47	No. 47 +3.044 (EC10-1)	No. 48	No. 48 +12.248 (BC10-2)	No. 49	No. 50	No. 51	No. 51 +3.059 (EC10-2)	No. 52	No. 52 +7.833 (BC11-1)	No. 53	No. 54	No. 54 +1.340 (EC11-1)	No. 55	No. 56	No. 56 +10.229 (BC11-2)	No. 57	No. 58	No. 58 +19.694 (EC11-2)	No. 59	No. 59 +0.169 (EC11-2)	No. 60	No. 61	No. 61 +0.169
曲線	IP10-1 IA=61-27-49 R=60.000 TL=35.671 CL=64.365 SL=9.802			IP10-2 IA=17-10-14 R=200.000 TL=30.194 CL=59.936 SL=2.266				IP11-1 IA=9-35-57 R=200.000 TL=16.793 CL=33.508 SL=0.704				IP11-2 IA=16-47-33 R=200.000 TL=29.520 CL=58.617 SL=2.167				1-17-24									